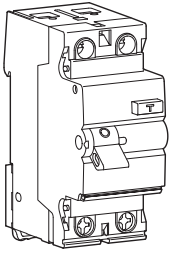


6C5037c



25 - 63 A

Residual Current Circuit Breaker (RCCB) 25 - 63 A

CERTIFICATE OF TESTS

Certified that this Hager RCBB was tested for compliance to all routine tests specified in IS12640

Type

1. Test of Sensitivity	OK
2. Tripping Time	OK
3. Tripping Current	OK
4. Performance of Test Device	OK
5. H.V. Test at 2,5 KV	OK

Warning

Is 12640 - Part 1 recommends that RCCB should not be considered as a sole means of protection. It is essential to provide proper earthing. All parts of the system should be properly insulated. RCCB does not eliminate the electric shock but limits duration of passage of current through human body to such a short time, probabilities of a lethal effect are reduced to a minimum.

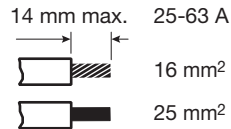


Advice:

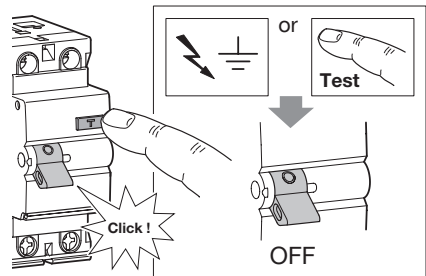
Products should be installed inside suitable IP rated enclosures to prevent dust entering inside the mechanism.

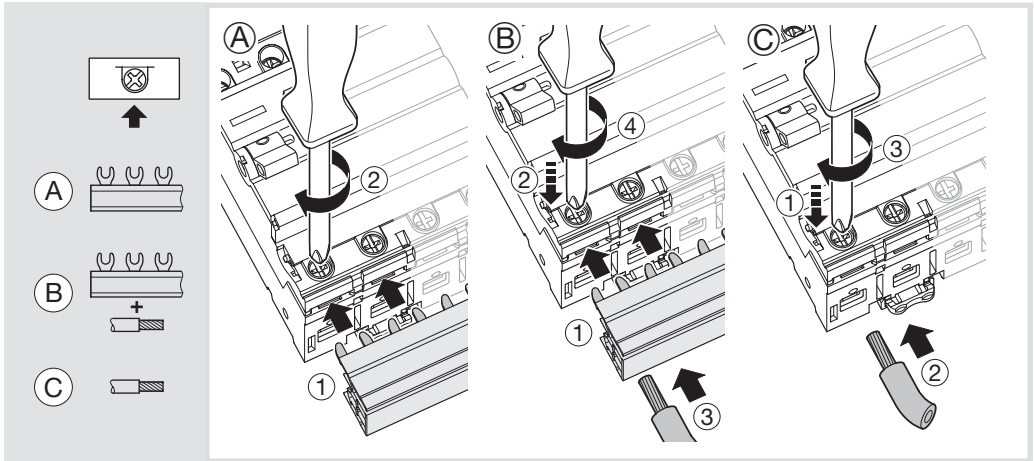
RCCBs should be installed in an enclosure with minimum IP5X protection level, when used in excessive dusty environments like construction sites, cement/mineral plants etc, or outdoor applications.

RCCBs should be used along with SCPDs like MCBs connected downstream.



Test : Test regularly : RCCB must trip.





I^2t , I_p (IEC 61008-1 & IS 12640-Part 1)

Protection against over-current

RCCBs without overload protection have to be properly protected against over-current by using backup fuse or MCBs as per table below:

		gG Fuse			NB, NC, ND MCB		
		25 A	40 A	63 A	25 A	40 A	63 A
RCCB 2 & 4 ■		25 A	40 A	63 A	25 A	40 A	63 A
25 A		X			X		
40 A			X			X	
63 A				X			X

Warranty



A warranty period of 24 months is offered on hager products, from date of manufacture, relating to any material of manufacturing defect. If any product is found to be defective it must be returned via the installer and supplier (wholesaler). The warranty is withdrawn if:

- after inspection by hager quality control dept the device is found to have been installed in a manner which is contrary to IEE wiring regulations and accepted practice within the industry at the time of installation.
- The procedure for the return of goods has not been followed. Explanation of defect must be included when returning goods.